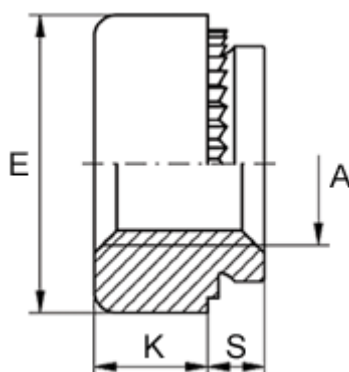


Article number: 12503000025500  
Description: KLEE-coil 503 000 025.500  
M2,5 Stainless 1.4305

## Measures

---



Female thread A	= M2,5
Height K	= 2.0
Max recess height	= 2.0
Min distance to edge	= 3.0
Outer diameter E	= 6.0
Plate thickness	= from 2.4
Recommended bore diameter +0.05	= 4.00